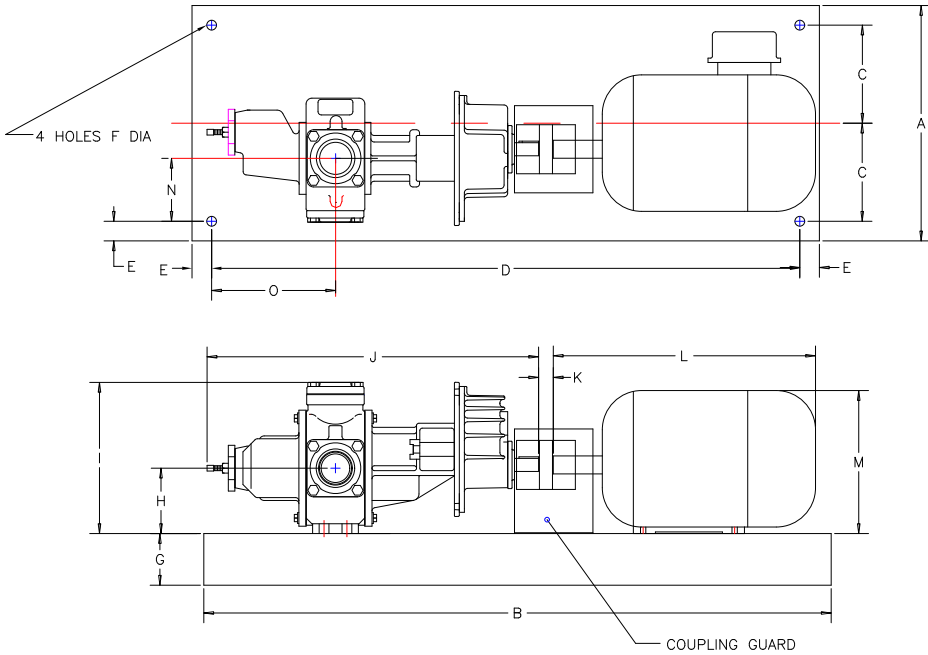


RANGER SERIES 179P - 179M GBFRV BASE MOUNTED PUMPS

BU-011228



ALL DIMENSIONS ARE IN INCHES

PUMP SIZE	BASE NO.	MOTOR FRAME	A	B	C	D	E	F	G	H	I	J	K	L	M	N	O	BASE, CPLG GRD WT LB
17	B1	145T	15.00	40.00	6.00	37.00	1.50	0.63	3.40	5.00	11.63	25.50	1.00	12.69	7.38	4.38	8.63	118
17	B1	182T	15.00	40.00	6.00	37.00	1.50	0.63	3.40	5.00	11.63	25.50	1.00	15.19	9.38	4.38	7.50	118
17	B1	184T	15.00	40.00	6.00	37.00	1.50	0.63	3.40	5.00	11.63	25.50	1.13	16.19	9.38	4.38	7.00	118
17	C2	213T	18.00	48.00	7.50	45.00	1.50	0.75	4.00	5.00	11.63	25.50	1.13	18.56	10.94	4.63	9.50	175
17	C2	215T	18.00	48.00	7.50	45.00	1.50	0.75	4.00	5.00	11.63	25.50	1.13	18.56	10.94	4.63	9.00	175
17	C2	254T	18.00	48.00	7.50	45.00	1.50	0.75	4.00	5.00	11.63	25.50	1.13	23.25	12.94	4.63	7.75	175
17	C2	256T	18.00	48.00	7.50	45.00	1.50	0.75	4.00	5.00	11.63	25.50	1.13	25.00	12.94	4.63	6.75	175

CUSTOMER _____ PURCHASE ORDER NO. _____ SERVICE _____

PUMP SIZE _____ MATERIAL _____ ITEM _____

GPM _____ P.S.I. _____ RPM _____ MARKS _____

MOTOR MANUFACTURER _____ ENCLOSURE _____ MOTOR FEATURES _____

HP _____ VOLTS _____ PHASE _____ HERTZ _____

BY _____ DATE _____ CERTIFIED FOR APPROVAL CONSTRUCTION